

# GIS and HiPerGator

## A Beginning

Paul Zwick, Urban Planning

Michael Kutyna, UFApps

Nicholas Cecere, UFApps

Erik Duemens, Research Computing

Matt Gitzendanner, Research Computing

Moskalenko, Oleksandr, Research Computing

Leilei Duan, Urban Planning

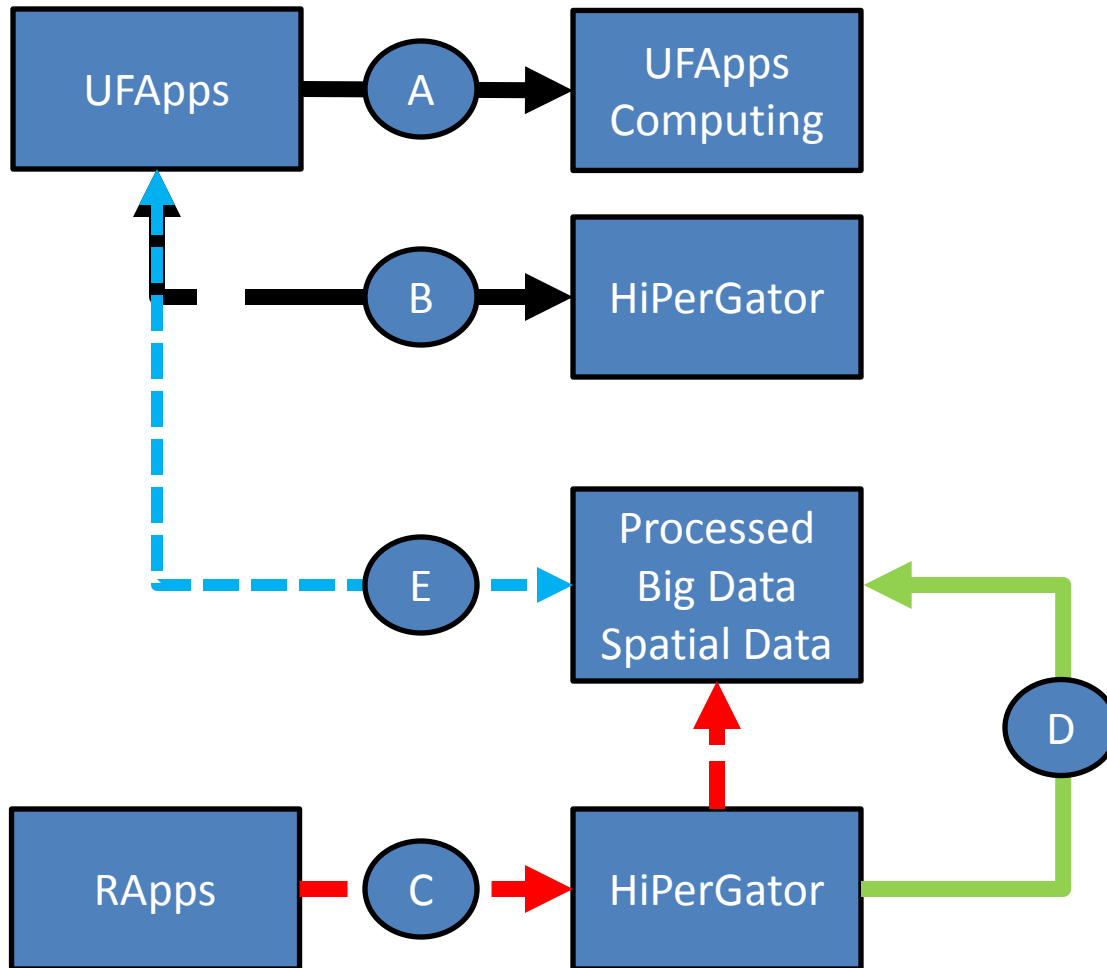
Changjie Chen, Urban Planning

Yingfei Huang, Urban Planning

YuQuing Yao, Computer Science

JingRu Zhang, Urban Planning

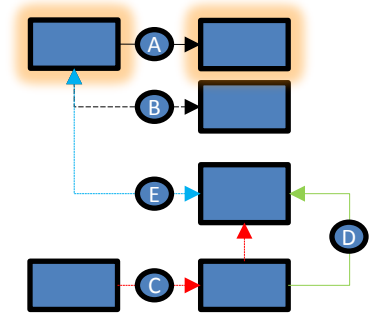
# UFApps-Research Computing Geoprocessing Concept





# UFApps – UFApps Computing

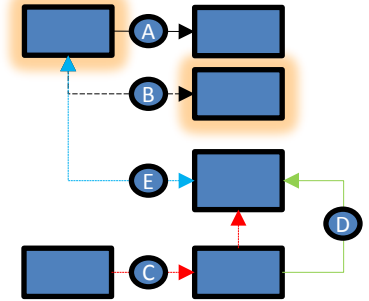
- UFApps – ArcGIS Desktop (Windows)
  - **Geoprocessing UFApps Drives**
    - **ModelBuilder**
    - **Python “arcpy module” scripts**
- Testing Concept
  - Methods of Parallel Geoprocessing
    - **Valid** Individual Tool “ArcGIS Parallel Processing”
      - Python Script and ModelBuilder
    - Individual Tool “Python Script Parallel Processing” Multiple Spatial Datasets
    - Individual Tool “Python Script Parallel Processing” Single Dataset Multiple Extents

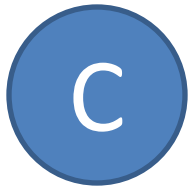


## B

# UFApps – HiPerGator

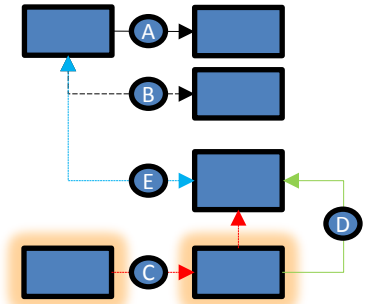
- UFApps – ArcGIS Desktop (Windows)
  - **Geoprocessing HiPerGator Drives**
    - **ModelBuilder**
    - **Python “arcpy module” scripts**
- Testing Concept
  - Methods of Parallel Geoprocessing
    - **Valid** Individual Tool “ArcGIS Parallel Processing”
      - Python Script and ModelBuilder
    - Individual Tool “Python Script Parallel Processing” Multiple Spatial Datasets
    - Individual Tool “Python Script Parallel Processing” Single Dataset Multiple Extents





# RApps – HiPerGator

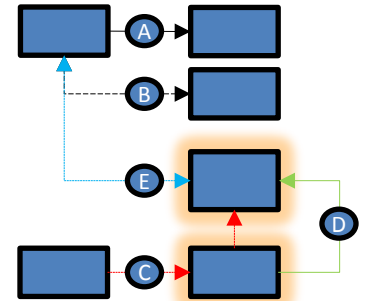
- RApps – ArcGIS Desktop (Windows)
  - **Geoprocessing HiPerGator Drives**
    - **ModelBuilder**
    - **Python “arcpy module” scripts**
- Testing Concept
  - Methods of Parallel Geoprocessing
    - **Valid** Individual Tool “ArcGIS Parallel Processing”
      - Python Script and ModelBuilder
    - Individual Tool “Python Script Parallel Processing” Multiple Spatial Datasets
    - Individual Tool “Python Script Parallel Processing” Single Dataset Multiple Extents





# RApps – HiPerGator

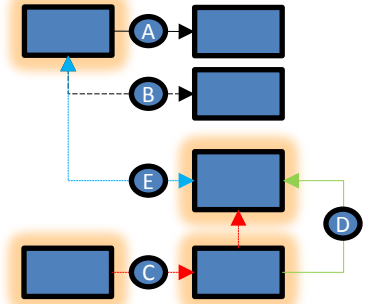
- RApps – ArcGIS “arcpy module” (LINUS)
  - **Geoprocessing HiPerGator Drives**
    - **Python “arcpy module” scripts**
- Testing Concept
  - Methods of Parallel Geoprocessing
    - **Valid** Individual Tool “ArcGIS Parallel Processing”
      - Python Script and ModelBuilder
    - Individual Tool “Python Script Parallel Processing” Multiple Spatial Datasets
    - Individual Tool “Python Script Parallel Processing” Single Dataset Multiple Extents





# UFApps – HiPerGator

- RApps – ArcGIS “arcpy module” (LINUS)
  - **Geoprocessing HiPerGator Drives**
    - **Python “arcpy module” scripts**
- Testing Concept
  - Methods of Parallel Geoprocessing
    - **Valid** Individual Tool “ArcGIS Parallel Processing”
      - Python Script and ModelBuilder
    - Individual Tool “Python Script Parallel Processing” Multiple Spatial Datasets
    - Individual Tool “Python Script Parallel Processing” Single Dataset Multiple Extents



# ArcGIS Tools for Parallel Processing

- Many if not all of The Geostatistical Analyst tools.
- Some of the Spatial Analyst Tools
  - Inverse Distance Weighting
  - Mosaic
- Using HiPerGator or UFApps provides access to more cores if you have them allocated for your applications.
- As Far as I know at this time no vector geoprocessing tools have ArcGIS Parallel Processing Capability.
- All ArcGIS Tools provide a place to select Parallel Processing the tool simply ignores your selection because there is no parameter provided to the tool in the code syntax.
- So “Python” (Windows or Linux) Parallel Processing options may provide an expanded opportunity for use with the HiPerGator.